

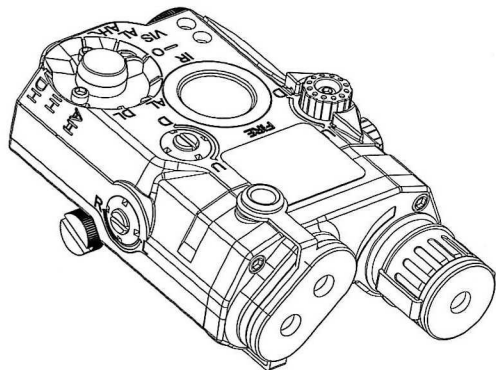


element airsoft  
OPERATOR MANUAL

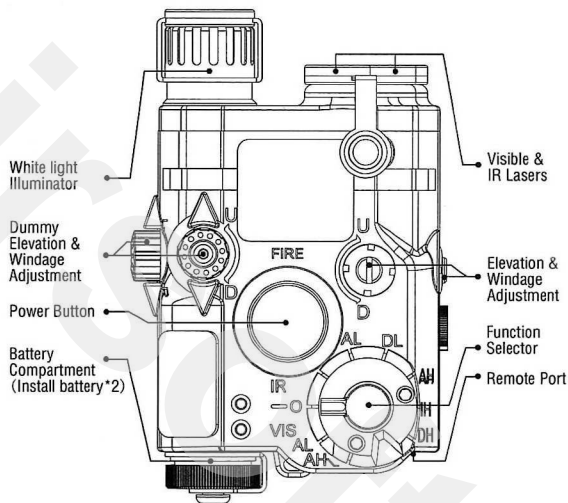
FOR THE

Advanced Target Pointer Illuminator Aiming Light

LA-5/PEQ



Be sure to read this user's manual thoroughly before use, and follow them for correct use



\*White light Illuminator  
白光照明

\*Dummy Elevation & Windage Adjustment (仿真纵/横向调节旋鈕)

\*Power Button  
電源開關

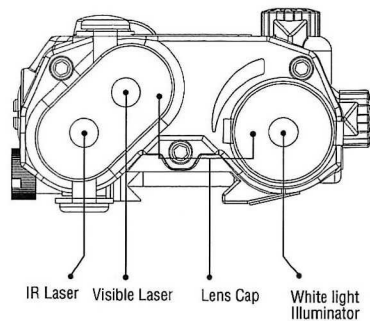
\*Battery Compartment (Install battery\*2)  
電池倉(可容納兩顆電池)

\*Visible & IR Lasers  
可見鐳射照準與不可見鐳射照準

\*Elevation & Windage Adjustment  
纵/横向调节旋鈕

\*Function Selector  
功能選擇轉盤

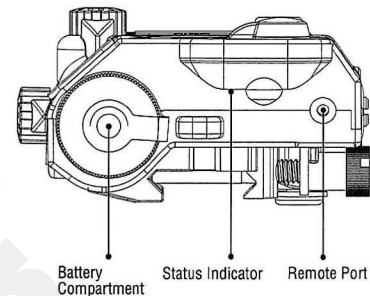
\*Remote Port  
外接線控插口



\*Visible Laser  
可見鐳射照準  
\*IR Laser  
不可見鐳射照準

\*Lens Cap  
保護蓋

\*White light Illuminator  
白光照明

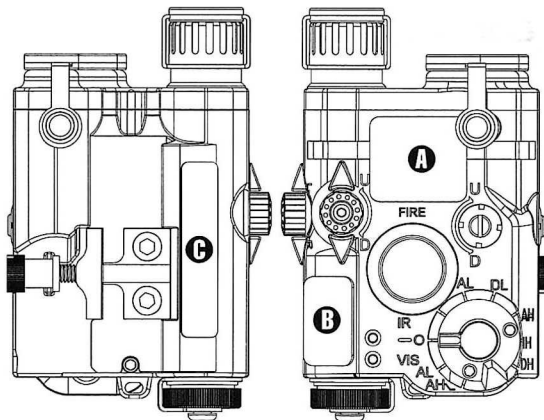


\*Battery Compartment (Install battery\*2)  
電池倉(可容納兩顆電池)

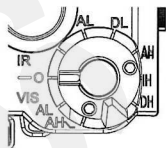
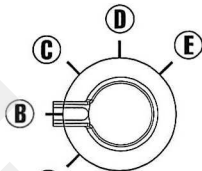
\*Remote Port  
外接線控插口

\*Status Indicator  
狀態指示燈

## LABELS



## FUNCTION OPERATE



該轉盤有5個檔位:  
A: White light Illuminator  
白光照明

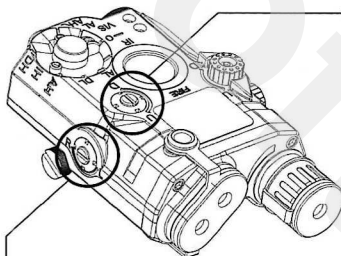
B: system OFF  
系統關閉

C: Visible Laser + White light  
Illuminator  
可見鐳射照準+白光照明

D: Visible Laser  
可見鐳射照準

E: IR Laser  
不可見鐳射照準

## LASER ADJUSTMENT



### Elevation Adjustable:

"U" for clockwise to turn the pointer up  
"U"表示順時針轉動能調節鐳射照準點向上移  
"D" for anti clockwise for turn the pointer down  
"D"表示逆時針轉動能調節鐳射照準點向下移

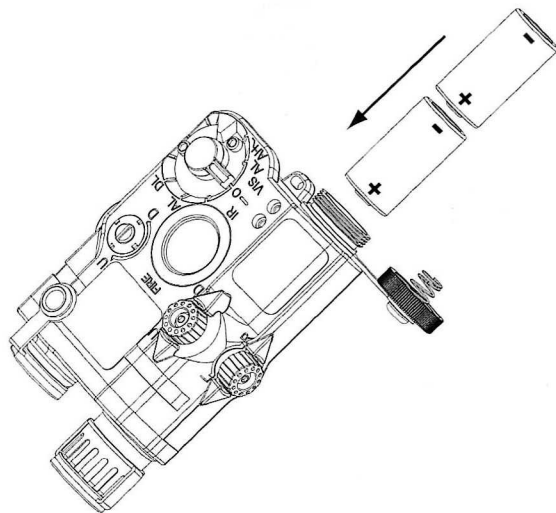
### Windage Adjustable:

"L" for clockwise to turn the pointer to left  
"L"表示順時針轉動能調節鐳射照準點向左移  
"R" for anti clockwise to turn the pointer to right  
"R"表示逆時針轉動能調節鐳射照準點向右移

**CAUTION: Over-turn will damage the adjustment function, you just need a little angle turning every time to set the pointer as your request.**

注意: 過量轉動調節鈕會損壞調節功能, 您僅需每次小角度轉動調節即可達到效果

## BATTERY INSTALLATION



Insert 2 batteries as shown, note the direction of the battery "+" side.

如圖所示插入兩顆電池, 留意電池正極的方向

**CAUTION: Support CR123A 3V or 16340 RCR123A 3.7V or 17355 RCR123A 3V battery. DO NOT MIX DIFFERENT TYPE BATTERY TOGETHER.**

注意: 支援市面上一次性CR123A電池與反復可充的16340與17355型號鋰離子電池。請勿將不同規格電壓的電池混合使用和反接電池, 會損壞器材